

QPD2-0-10000

2-Way, DC~10GHz, 0.5W

Features:

- * Small Size
- * Low Insertion Loss

Applications:

- * Amplifiers
- * Mixers
- * Antennas
- * Laboratory Test

Electrical

Frequency:	DC~10GHz
Insertion Loss:	6±1.5dB max.
VSWR:	1.5 max.
Amplitude Balance:	±0.8dB max.
Impedance:	50Ω
Power Handling:	0.5W

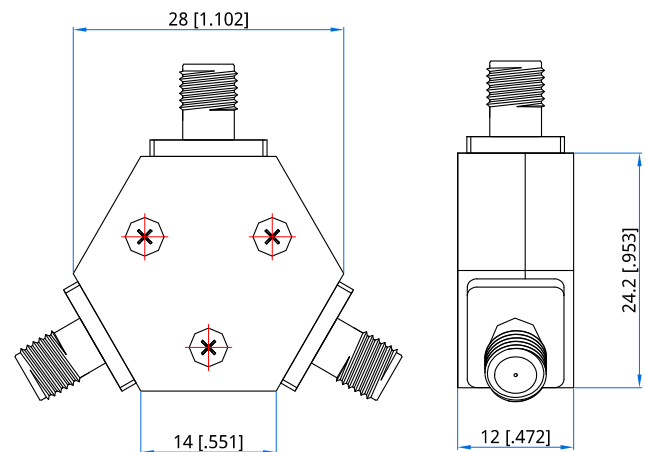
Mechanical

Size ^{*1} :	28*24.2*12mm 1.102*0.953*0.472in
Connectors:	SMA Female

[1] Exclude connectors.

Environmental

Operation Temperature:	-35~+75°C
------------------------	-----------

Outline Drawings


Unit: mm [in]

Tolerance: ±0.5mm [±0.02in]

How To Order

QPD2-0-10000

Customization is available upon request.